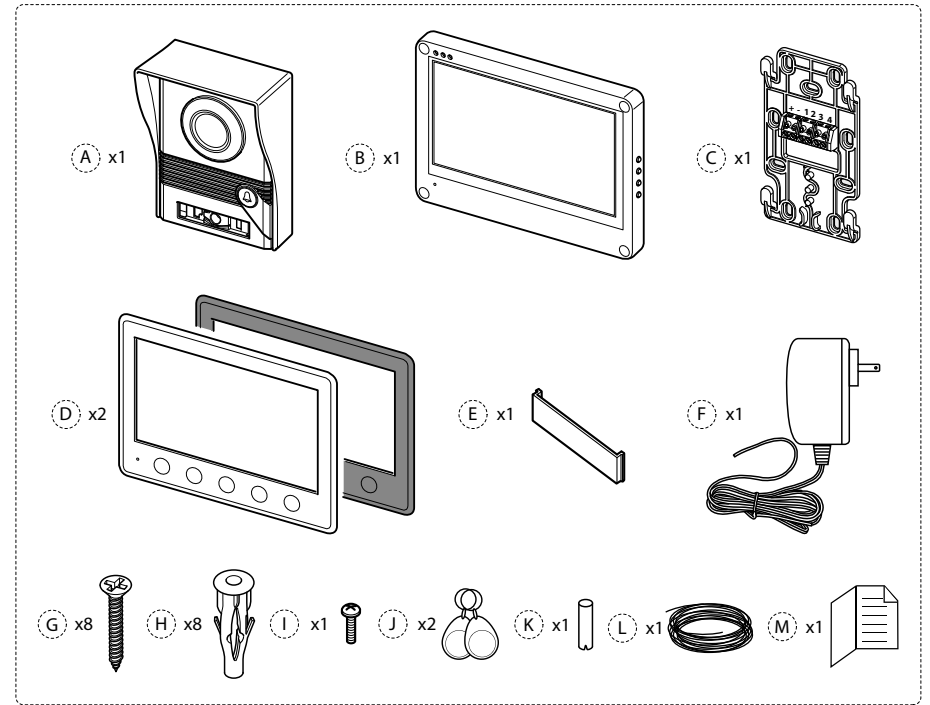


## Color Door Phone Kit

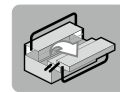


Thank you for purchasing 1byone Color Door Phone Kit. Please read this instruction manual before use to ensure safe operation.

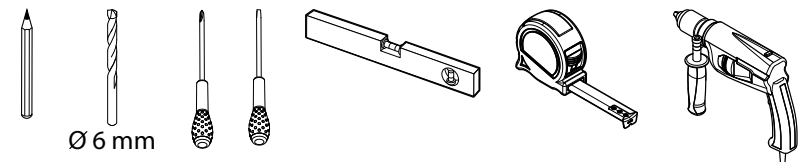
## Accessories List



- |   |  |
|---|--|
| A. 1 x Outdoor video doorbell               | H. 8 x Plastic Plugs                             |
| B. 1 x Indoor Monitor                       | I. 1 x Bottom Screw for Outdoor video doorbell   |
| C. 1 x Mount for Indoor Monitor             | J. 2 x RF ID Cards                               |
| D. 2 x Front Panels for Indoor Monitor      | K. 1 x Angle Adjuster for Outdoor video doorbell |
| E. 1 x Nameplate for Outdoor video doorbell | L. 1 x 15-Meter Cable                            |
| F. 1 x Power Adapter                        | M. 1 x Instruction Manual                        |
| G. 8 x Screws                               |  |

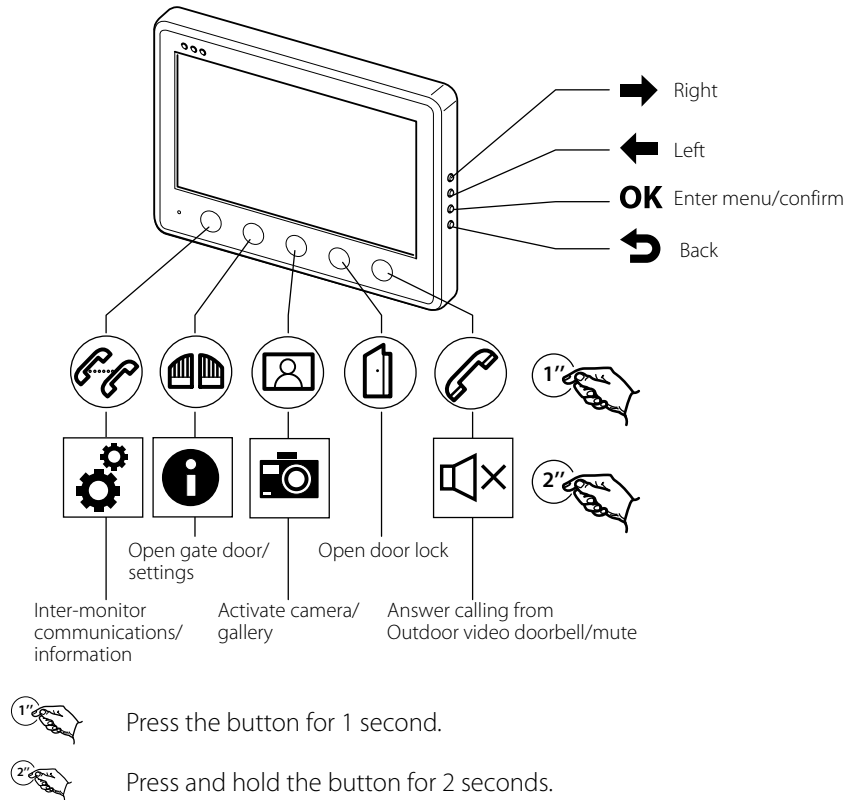


**Tools needed, but not included, for installation of the video doorbell:**

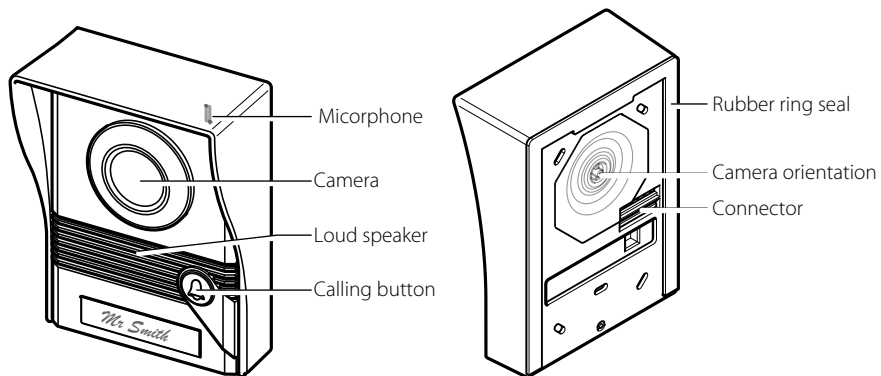


## Product Description

### 1. Indoor Monitor

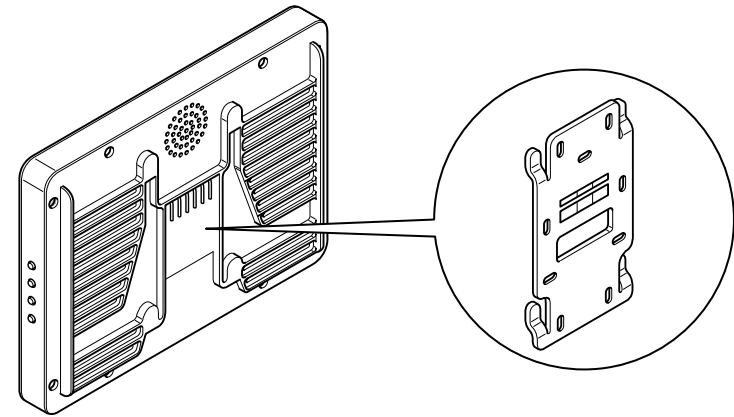


### 2. Outdoor video doorbell

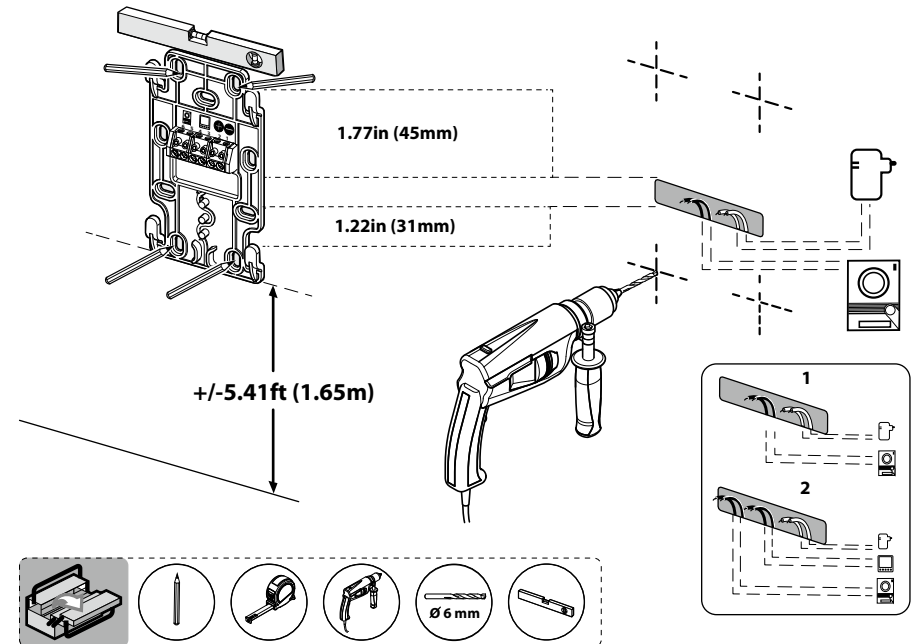


## Installation

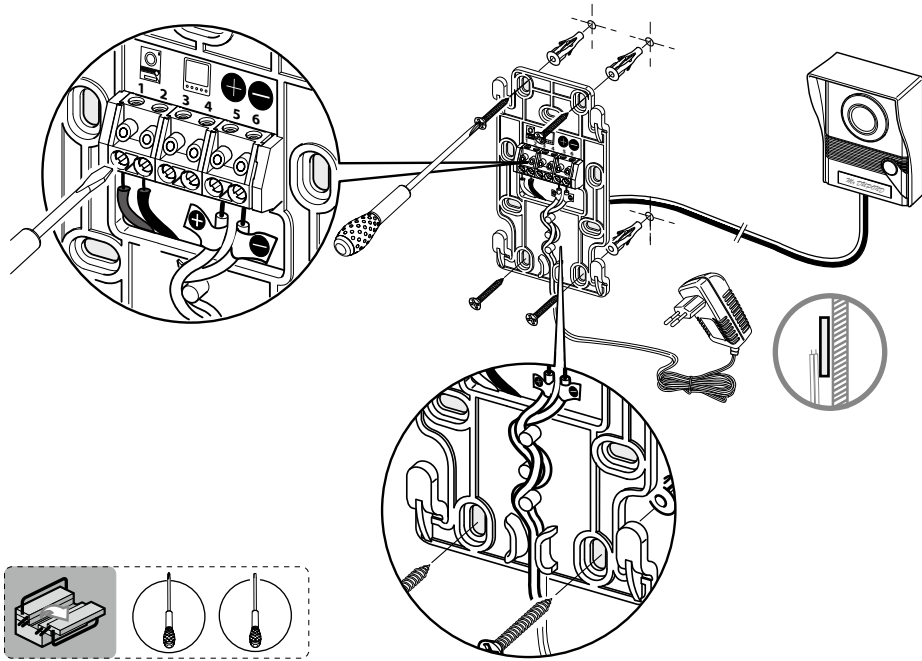
### 1. Disconnect the mount from the indoor monitor.



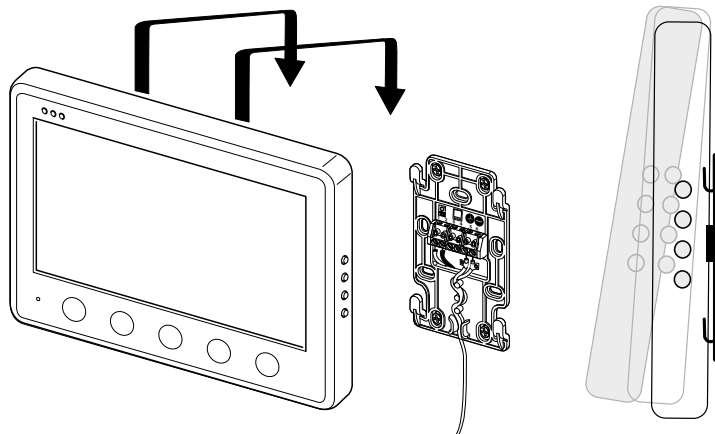
### 2. Select a suitable location to install the mount.



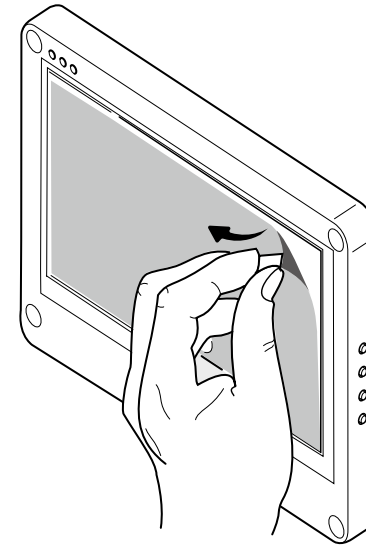
3. Use the included screws to attach the mount on the wall and connect the wires according to the following diagram.



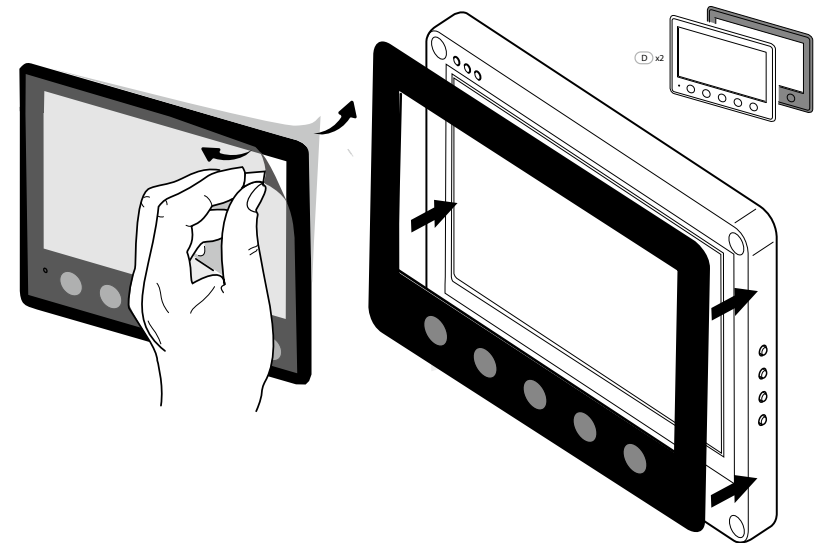
4. Attach the indoor monitor to the mount.



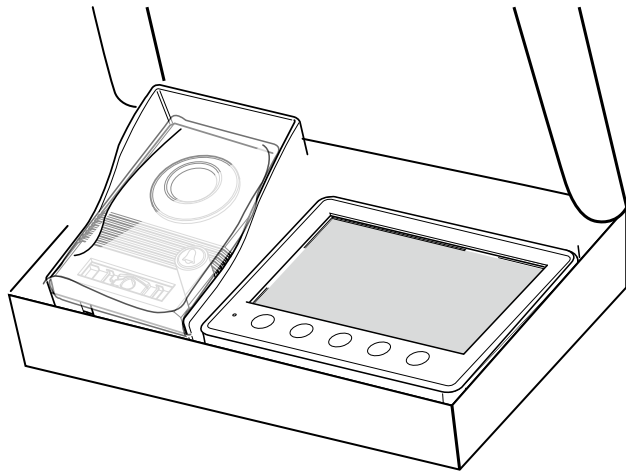
5. Tear off the protective film from the front panel.



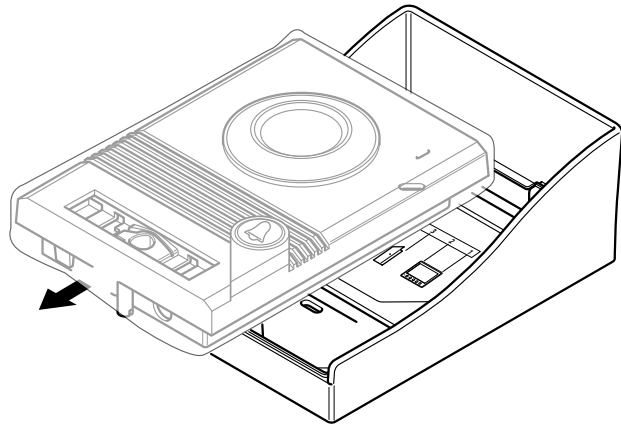
6. Choose the black or white front panel and attach it on the monitor.



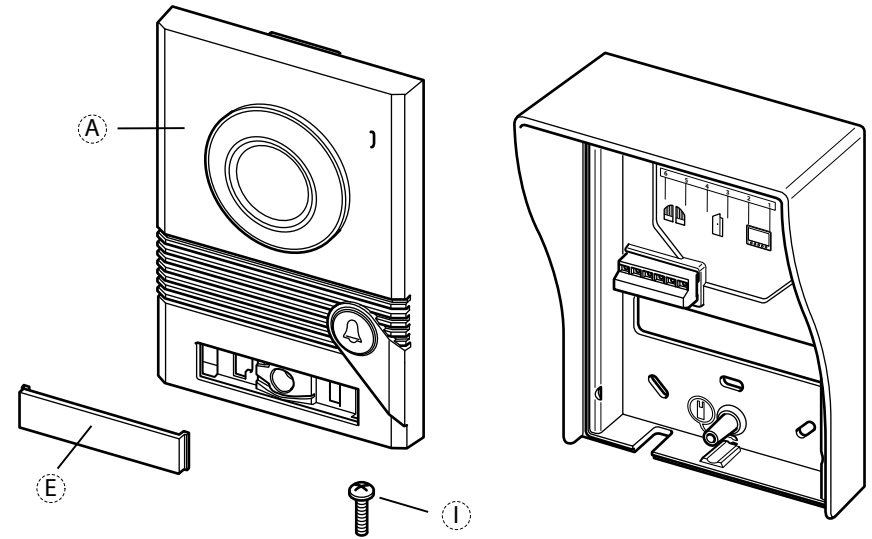
7. Remove the Outdoor video doorbell from the box.



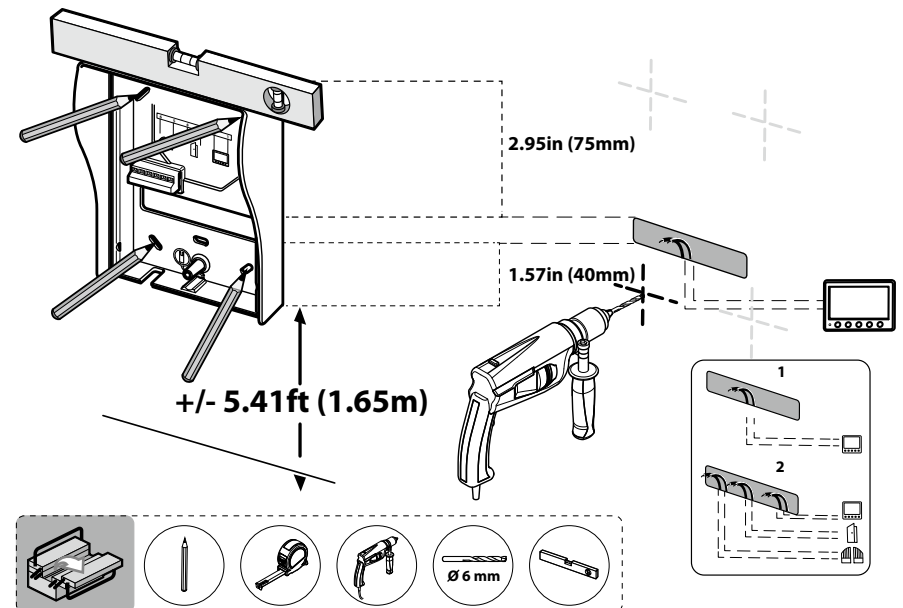
8. Remove the main body of the Outdoor video doorbell from the rain cover.



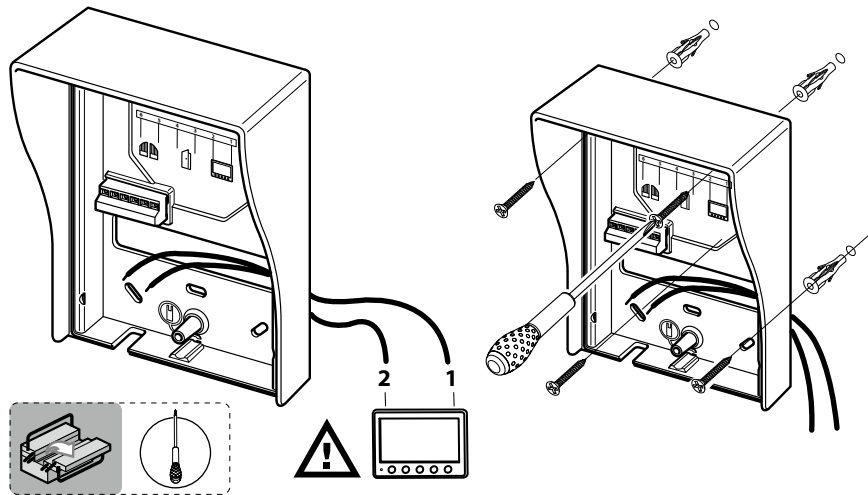
9. Remove the nameplate and bottom screw from the Outdoor video doorbell.



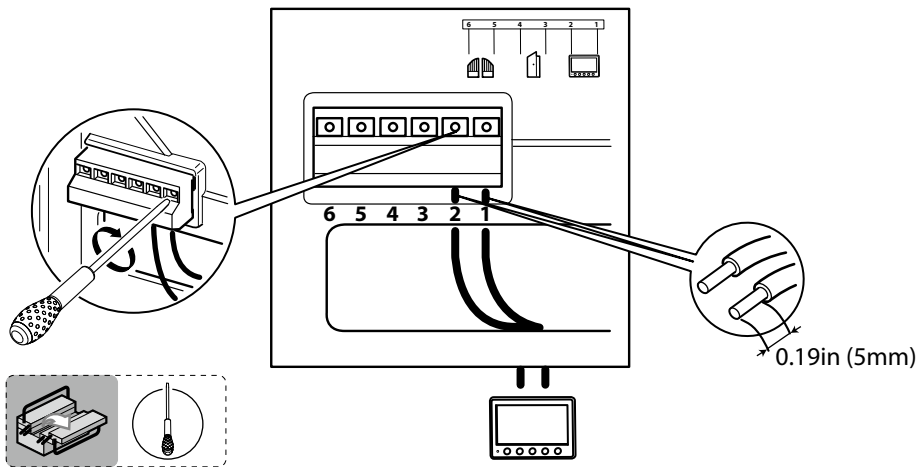
10. Choose a suitable location to attach the rain cover to a wall using the included screws.



**11. Attach the rain cover to the wall and prepare the wires for connection with the indoor monitor.**

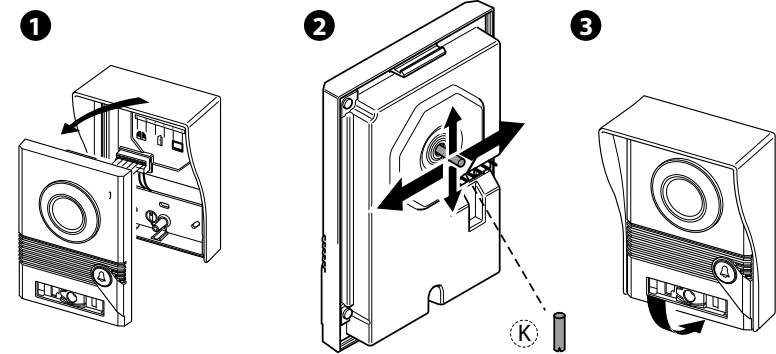
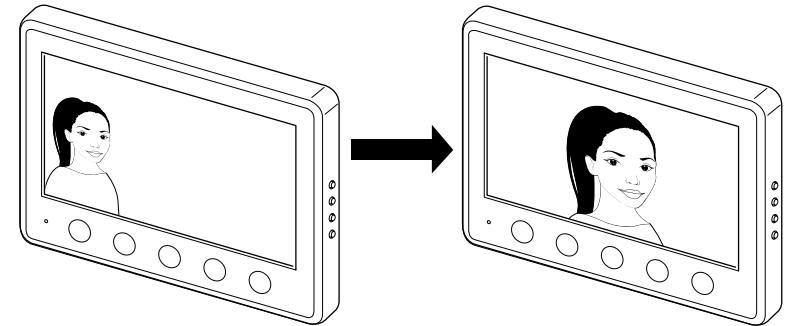


**12. Connect the wires to the indoor monitor according to the following wiring diagram.**

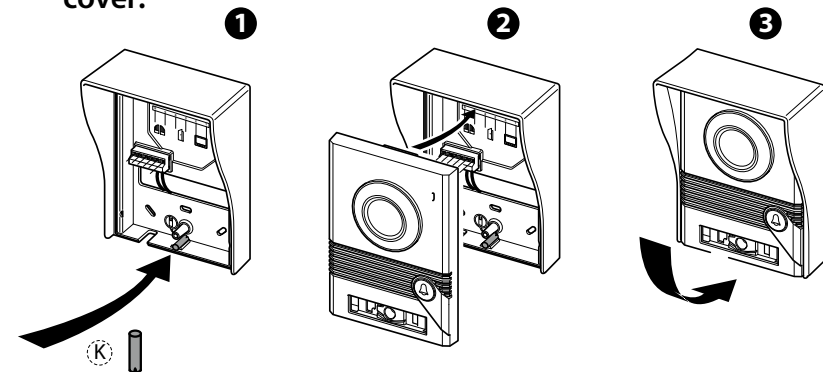


**13. Attach the camera to the rain cover and check the camera's visual angle after connecting the power adapter to power.**

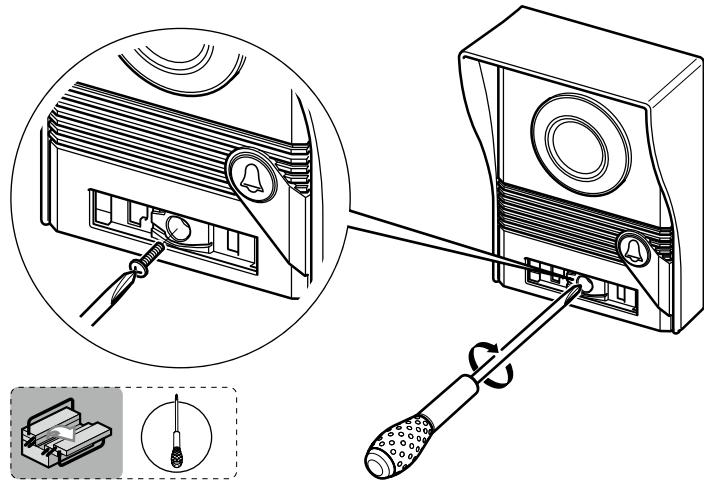
Press the Call button on the Outdoor video doorbell and the indoor monitor will ring and show the outdoor video feed. If needed, use the included angle adjuster accessory to adjust the camera's visual angle.



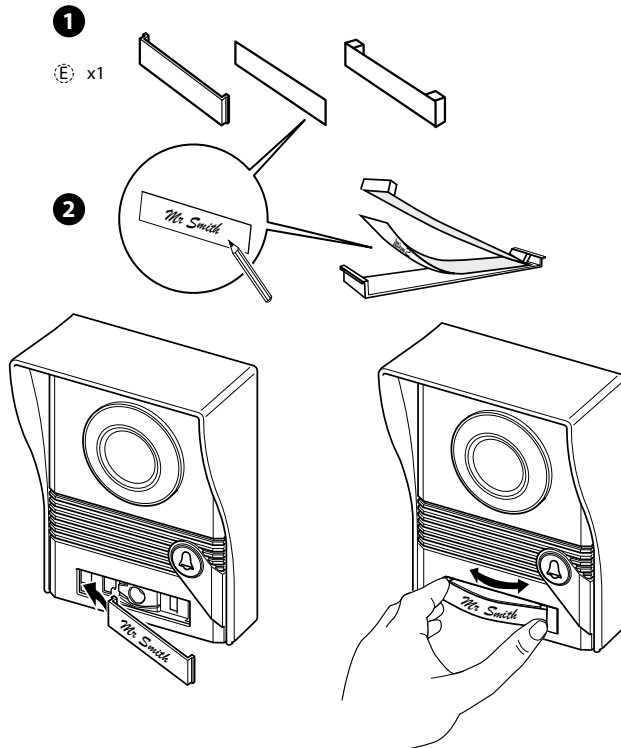
**14. Once finished, insert the angle adjuster into the bottom of the rain cover and attached the camera back onto the rain cover.**



### 15. Screw in the bottom screw.

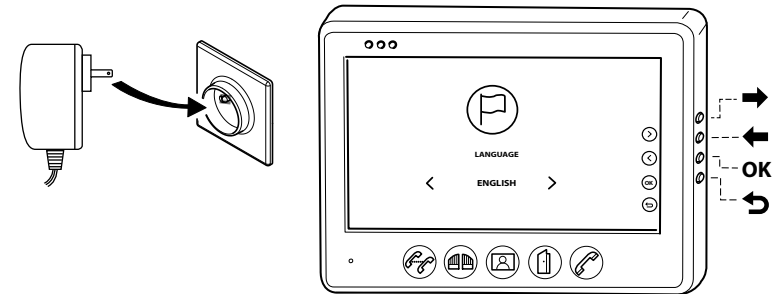


### 16. Write down an apartment number or name on the nameplate and attached it to the body of the camera.



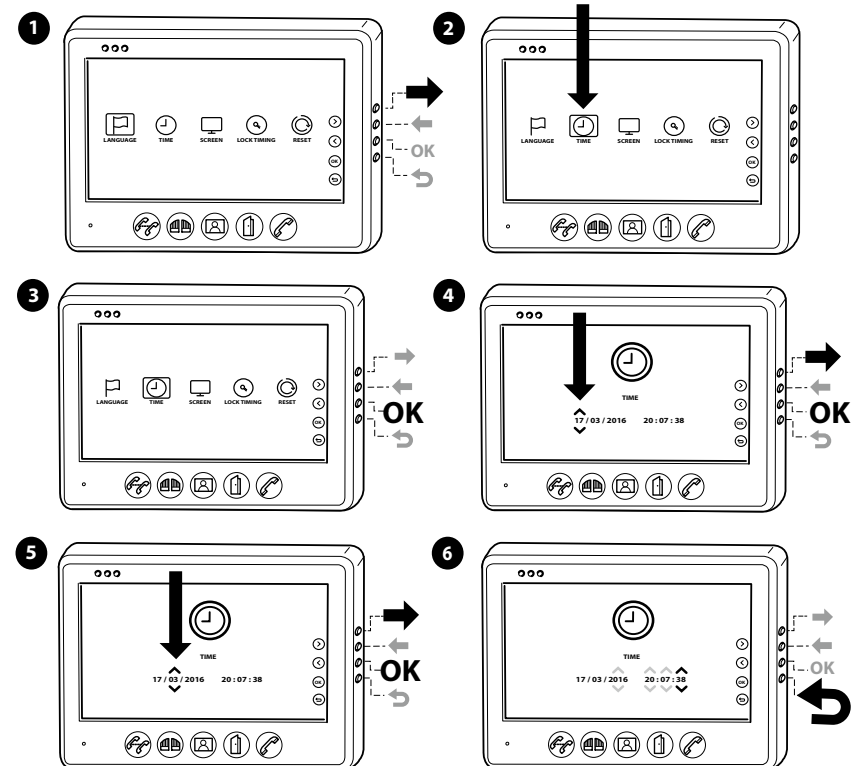
## How to Use

### 1. Set Language

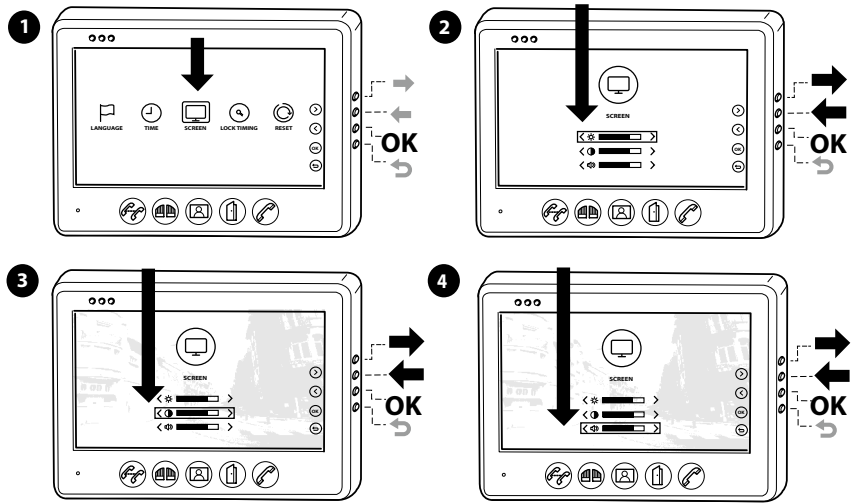


- Press **→** or **←** to select the required language.
- Press **OK** to confirm.
- Press **↺** to turn off the screen or return to the previous menu.
- The screen will automatically switch off after 60 seconds of inactivity.

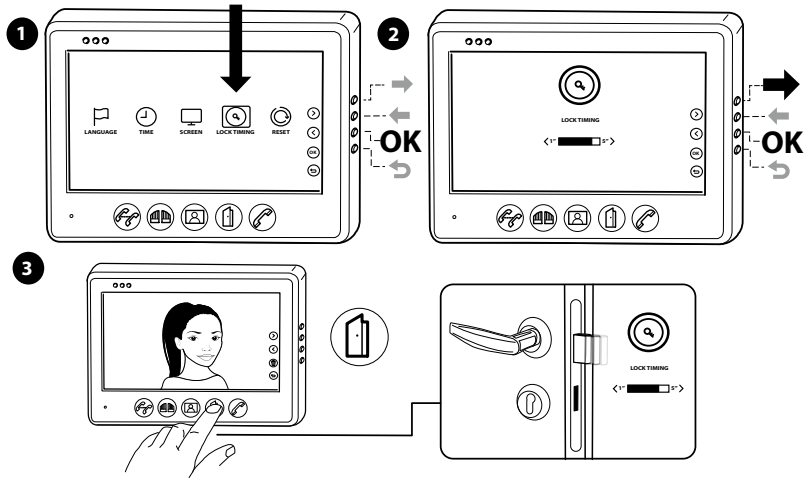
### 2. Set Date & Time



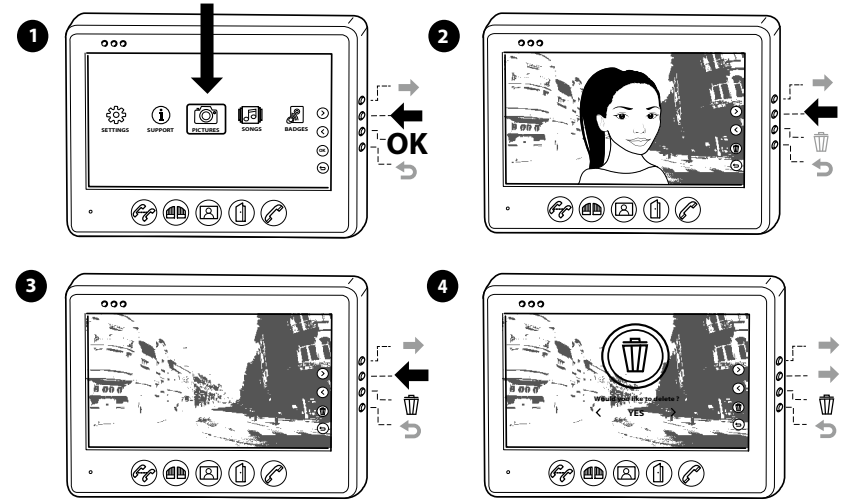
### 3. Set Indoor Screen and Outdoor Microphone Levels



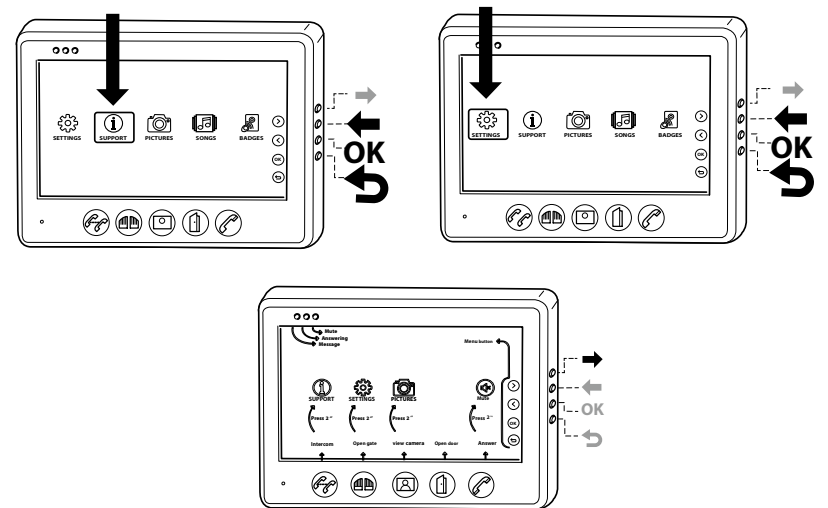
### 4. Set Time For Door/Gate To Lock Automatically After Closing



### 5. Manage Visitors' Images

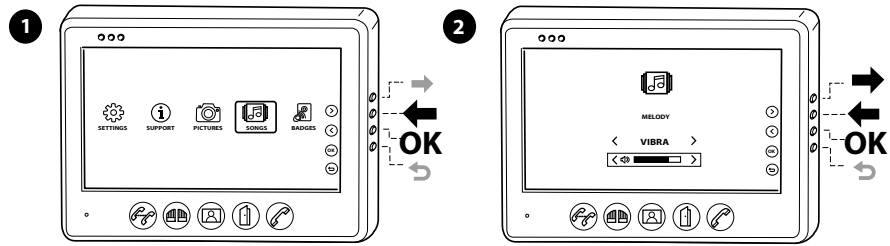


### 6. Information & Settings

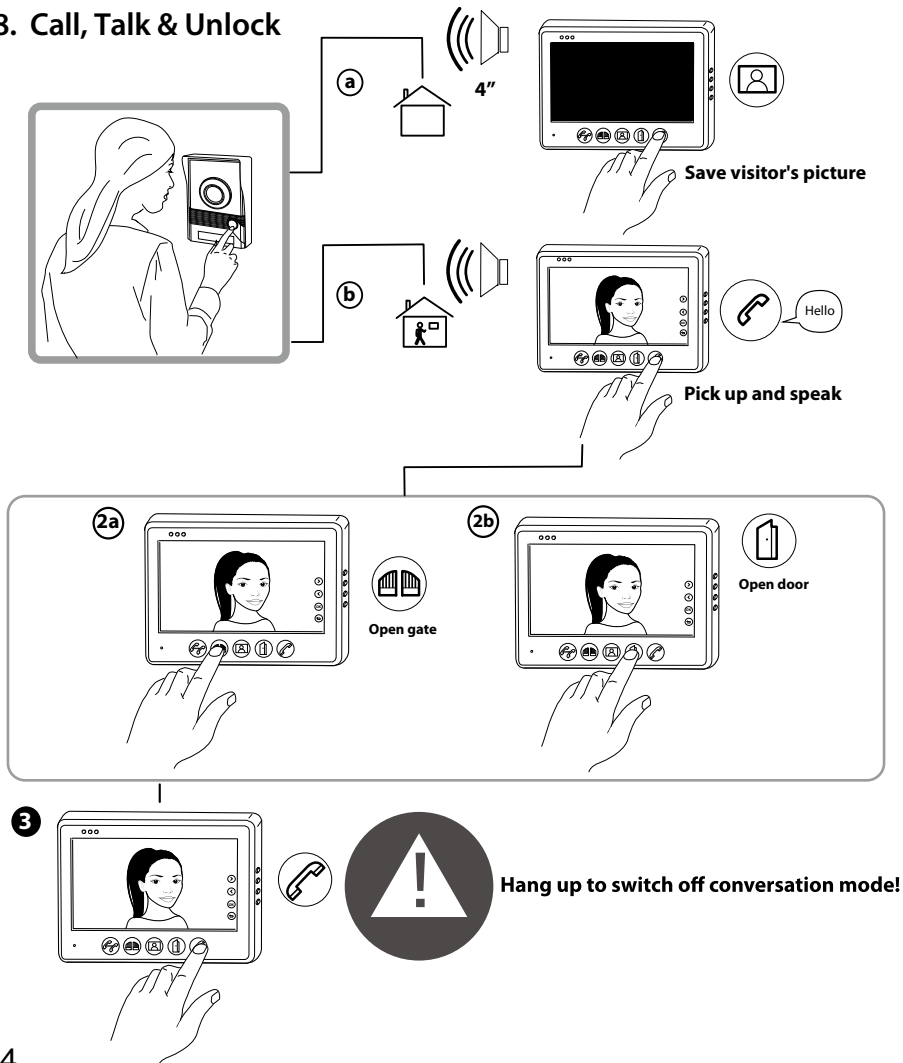




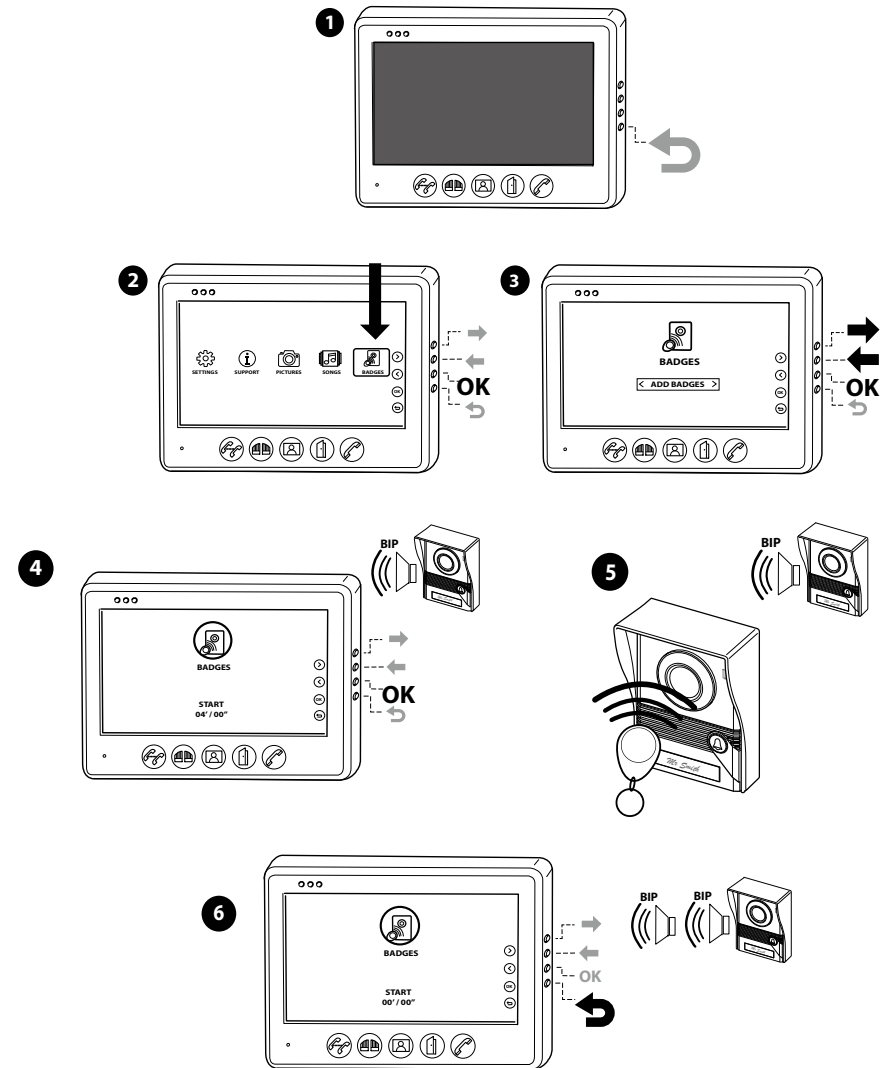
## 7. Select Ringtones



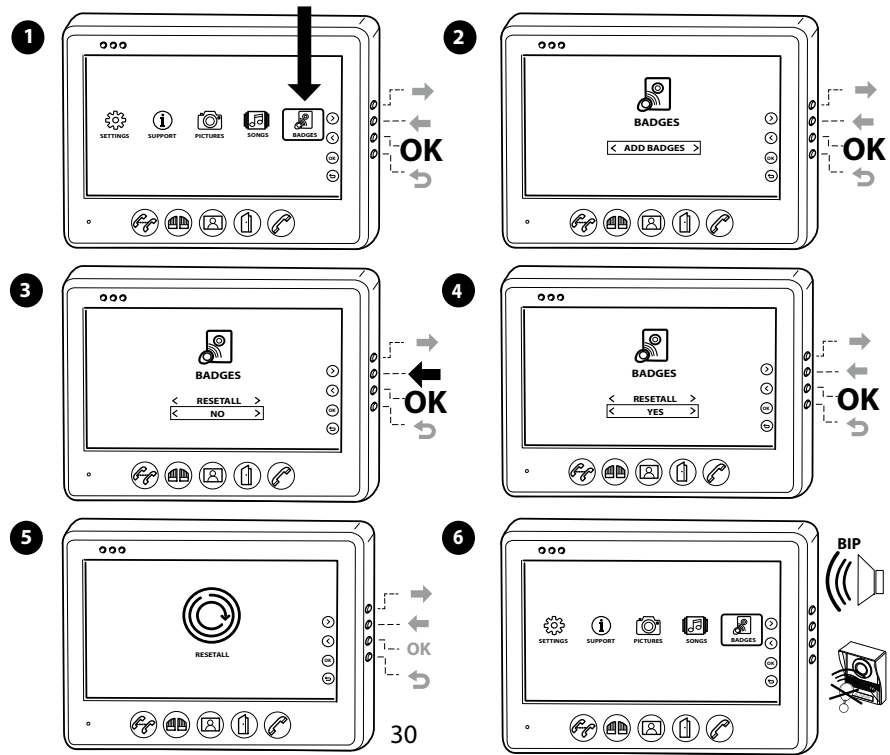
## 8. Call, Talk & Unlock



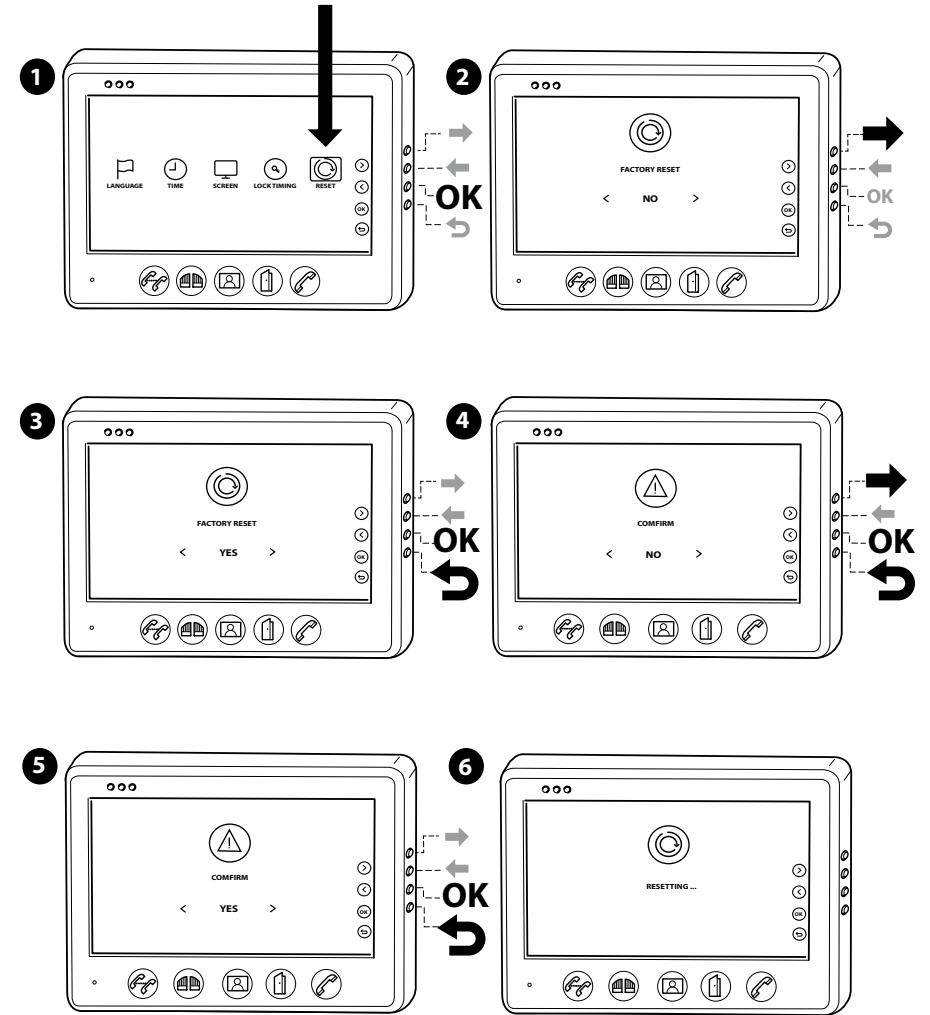
## 9. Set Up RF ID Cards



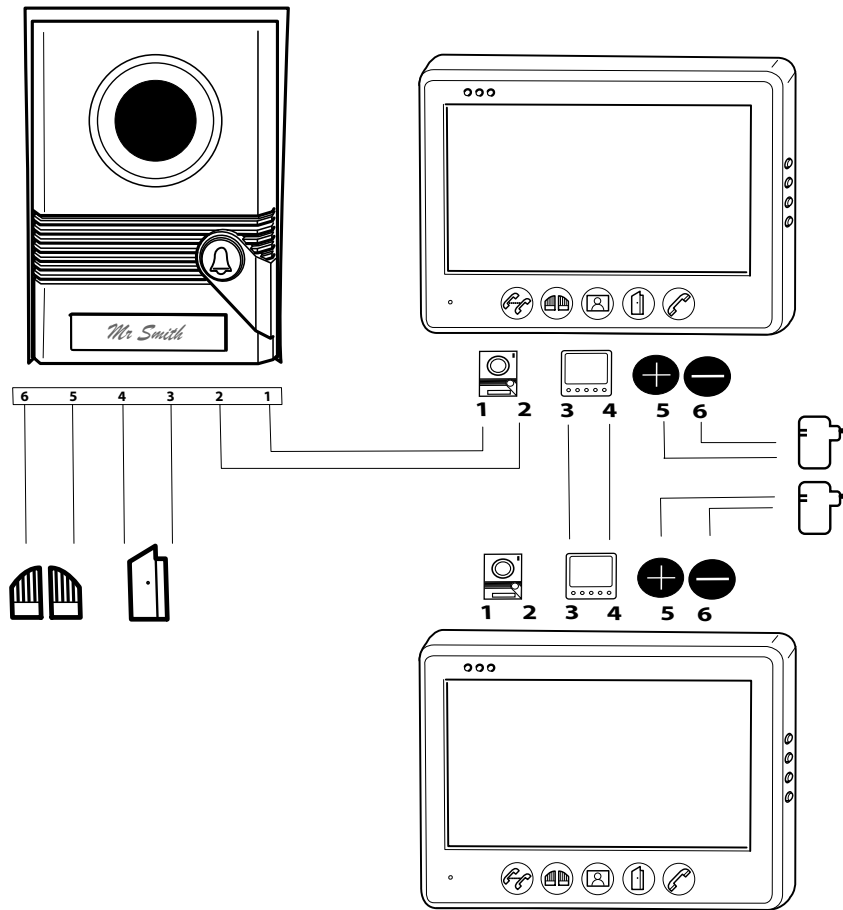
## 10. Reset RF ID Cards



## 11. Factory Reset



## Wiring Diagram

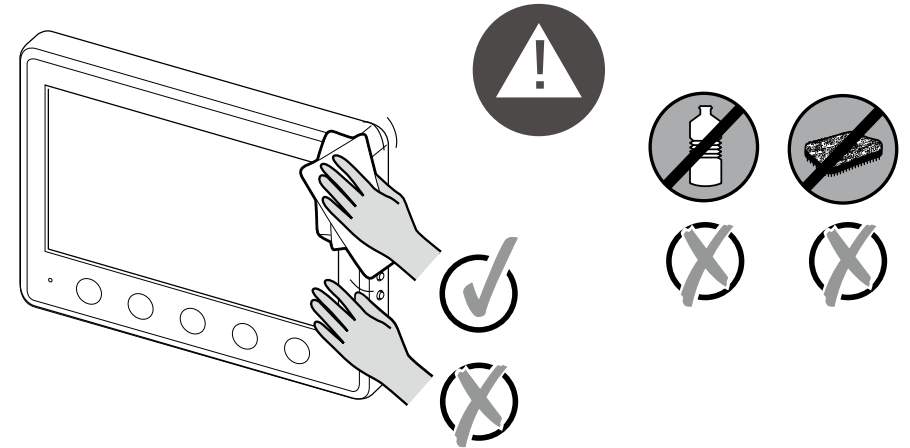


## Recommendation

Using flexible cables is preferable. Recommended cable thicknesses based on wiring distances:

- 3.2-164in (1-50m) - 0.03in<sup>2</sup> (0.75mm<sup>2</sup>) (15-meter cable included)
- 164-328in (50-100m) - 0.06in<sup>2</sup> (1.5mm<sup>2</sup>) (not included)
- 100 meters is maximum recommended wiring distance

## Cleaning and Maintenance



- \* Do not expose the Outdoor video doorbell to environments that are both very high in temperature and humidity.
- \* Use only soft cloth to clean the camera in order to get a clear image.
- \* Do not use any chemical/abrasive cleaning agents.
- \* Avoid throwing or hitting the door phone kit.
- \* Image may be illegible if a strong light is shined at the camera.
- \* Do not force open the monitor or camera or produce a short circuit.

## FAQ (Frequently Asked Questions)

**\*Why won't my door phone kit power on?**

Check the polarity (+/-) of the electrical wiring.

**\*How can I improve poor image and/or sound quality?**

- Check all connections and make sure the connecting wires are not touching each other.
- Make sure the electrical wires are the right gauges/sizes.
- Make sure the connecting wires between the indoor monitors and Outdoor video doorbell are not close to a 230V power cable.

**\*What should I do if the screen display turns blue or black?**

Please turn off and restart the door phone kit.